

# SmartView Duo



Featuring two large independent 8 inch LCD screens in a compact rack mount design, SmartView Duo handles SD, HD and 3Gb/s SDI video standards. SmartView Duo is perfect for post production, broadcast and live event monitoring. For easy setup, all screens can be remotely adjusted via ethernet connection. With SmartView Duo you can install SDI monitoring everywhere you need!

**\$495**

## Connections

### SDI Video Input

Automatically switches between SD, HD and 3G-SDI. Reclocked loop through output.

### Multi Rate Support

Auto detection of 2K, HD or standard definition inputs.

### Ethernet

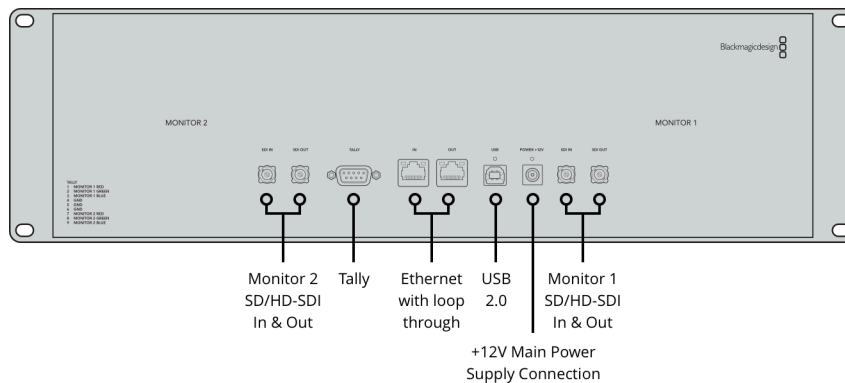
10/100 BaseT with loop through.

### Updates and Configuration

Via USB 2.0 high speed (480 Mb/s)

### Tally

9-pin D connector



## Standards

### SDI Compliance

SMPTE 259M, SMPTE 292M, SMPTE 296M, SMPTE 372M, SMPTE 424M Level B and SMPTE 425M.

### SDI Auto Switching

Automatically selects between SD, HD and 3 Gb/s SDI.

### SDI Color Space

REC 601, REC 709

### Video Sampling

4:2:2 and 4:4:4

---

**SDI Format Support**

525i59.94 NTSC, 625i50 PAL  
720p50, 720p59.94, 720p60  
1080p23.98, 1080p24, 1080p25,  
1080p29.97, 1080p30, 1080p50,  
1080p59.94, 1080p60  
1080PsF23.98, 1080PsF24,  
1080PsF25, 1080PsF29.97, 1080PsF30  
1080i50, 1080i59.94, 1080i60

**2K Format Support**

2K DCI 23.98p, 2K DCI 24p, 2K DCI  
25p  
2K DCI 23.98PsF, 2K DCI 24PsF, 2K  
DCI 25PsF

---

**Software****Internal Software Upgrade**

Via included firmware updater  
software.

**SmartView Utility Software**

Via USB or Ethernet.

---

**Operating Systems**

Mac 10.15 Catalina,  
Mac 11.1 Big Sur or later.



Windows 10, 64-bit.

---

**Display****Display Element**

TFT Active Matrix LCD.

**Response**

< 15 ms

**Color Depth**

16.7 Million Colors.

**Display Resolution**

800 x 480 pixels

**Contrast Ratio**

Typically 500:1

**Display Orientation**

Displays can rotate upside down for  
optimum viewing angle.

---

**Power Requirements****Power Supply**

12V universal power supply included  
with international socket adapters for  
all countries.

**Power Consumption**

< 20 Watts

**Operational Voltage Range**

12V - 15V

---

## Physical Specifications



---

## Environmental Specifications

### Operating Temperature

0° to 40° C (32° to 104° F)

### Storage Temperature

-20° to 45° C (-4° to 113° F)

### Relative Humidity

0% to 90% non-condensing

---

## What's Included

SmartView Duo  
Power Supply  
Welcome wallet with QR code for software download

---

## Warranty

12 Months Limited Manufacturer's Warranty.

All items on this website are copyright Blackmagic Design Pty. Ltd. 2021, all rights reserved. All trademarks are property of their respective owners. MSRP includes duties, but excludes sales tax and shipping costs. This website uses remarketing services to advertise on third party websites to previous visitors to our site. You can opt out at any time by changing cookie settings. [Privacy Policy](#)

Blackmagic Design Authorized Reseller